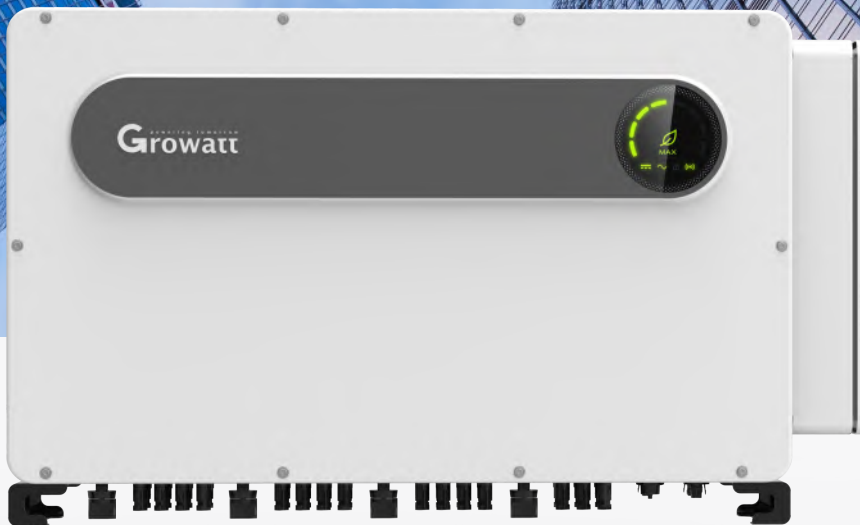
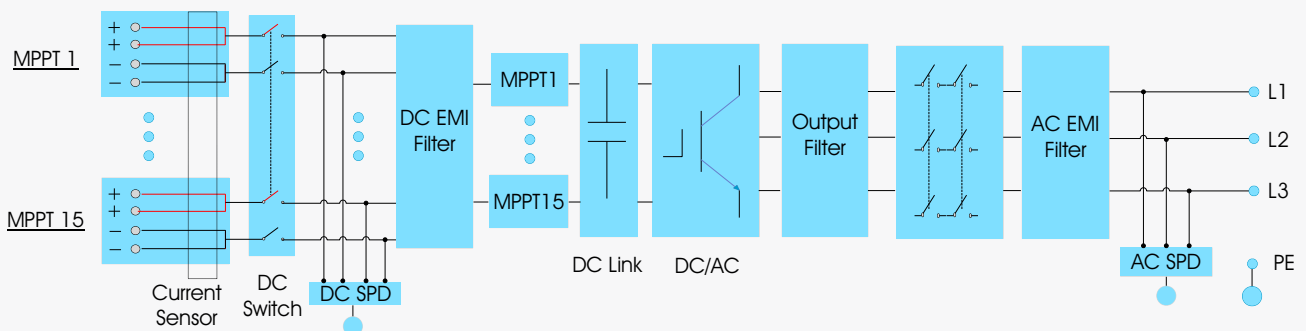


MAX 185~253KTL3-X HV

- Up to 15 MPPTs, fuse free design
- MAX efficiency 99%, high yield
- Smart I/V scan and diagnosis
- Intelligent string monitoring
- DC side 2 in 1 connection enabled
- Optional Anti-PID/Night SVG/AFCI function
- Data storage up to 25 years



Topology Diagram



Datasheet	MAX 185KTL3-X HV	MAX 216KTL3-X HV	MAX 250KTL3-X HV	MAX 253KTL3-X HV
-----------	------------------	------------------	------------------	------------------

Input data (DC)

Max. DC voltage	1500V			
Start voltage	500V			
Nominal voltage	1080V			
MPP voltage range	500V-1500V			
No. of MPP trackers	9	9	12	15
No. of PV strings per MPP tracker	2			
Max. input current per MPP tracker	30A			
Max. short-circuit current per MPP tracker	50A			

Output data (AC)

AC nominal power	185KW	216KW	250KW	253KW
Max. AC apparent power	185KVA@30°C 175KVA@40°C 160KVA@50°C	216KVA@30°C 200KVA@40°C 192KVA@50°C	250KVA@30°C 230KVA@45°C 220KVA@50°C	253KVA@30°C 230KVA@45°C 220KVA@50°C
Nominal AC voltage (range*)	800V (640-920V)			
AC grid frequency (range*)	50/60 Hz (45-55Hz/55-65 Hz)			
Max. output current	133.5A	155.9A	180.4A	182.6A
Adjustable power factor	0.8leading ...0.8lagging			
THDI	<3%			
AC grid connection type	3W+PE			

Efficiency

Max. efficiency	99.0%			
European efficiency	98.7%	98.7%	98.7%	98.5%
MPPT efficiency	99.9%			

Protection devices

DC reverse polarity protection	Yes
DC switch	Yes
AC/DC surge protection	Type II / Type II
Insulation resistance monitoring	Yes
AC short-circuit protection	Yes
Ground fault monitoring	Yes
Grid monitoring	Yes
Anti-islanding protection	Yes
Residual-current monitoring unit	Yes
String monitoring	Yes
AFCl protection	Optional
Anti-PID function	Optional
LVRT	Yes
HVRT	Yes
Night SVG	Optional

General data

Dimensions (W / H / D)	1070/670/340mm			
Weight	95kg	95kg	99kg	109kg
Operating temperature range	-30°C ... +60°C			
Nighttime power consumption	< 1W			
Topology	Transformerless			
Cooling	Smart air cooling			
Protection degree	IP66			
Relative humidity	0-100%			
Altitude	4000m			
DC connection	Staubli MC4/Amphenol UTX			
AC connection	OT Terminal connectors (Max. 300mm ²)			
Display	LED/WIFI+APP			
Interfaces: RS485 / USB /PLC	Yes/Yes /Optional			
Warranty: 5 years / 10 years	Yes /Optional			

CE, IEC62116/61727, IEC60068/61683, IEC60529, PEA, MEA, VDE0126, Greece, NRS097-2-1:2017, CEA2019

* The AC voltage range and frequency range may vary depending on specific country grid standard.
All specifications are subject to change without notice.